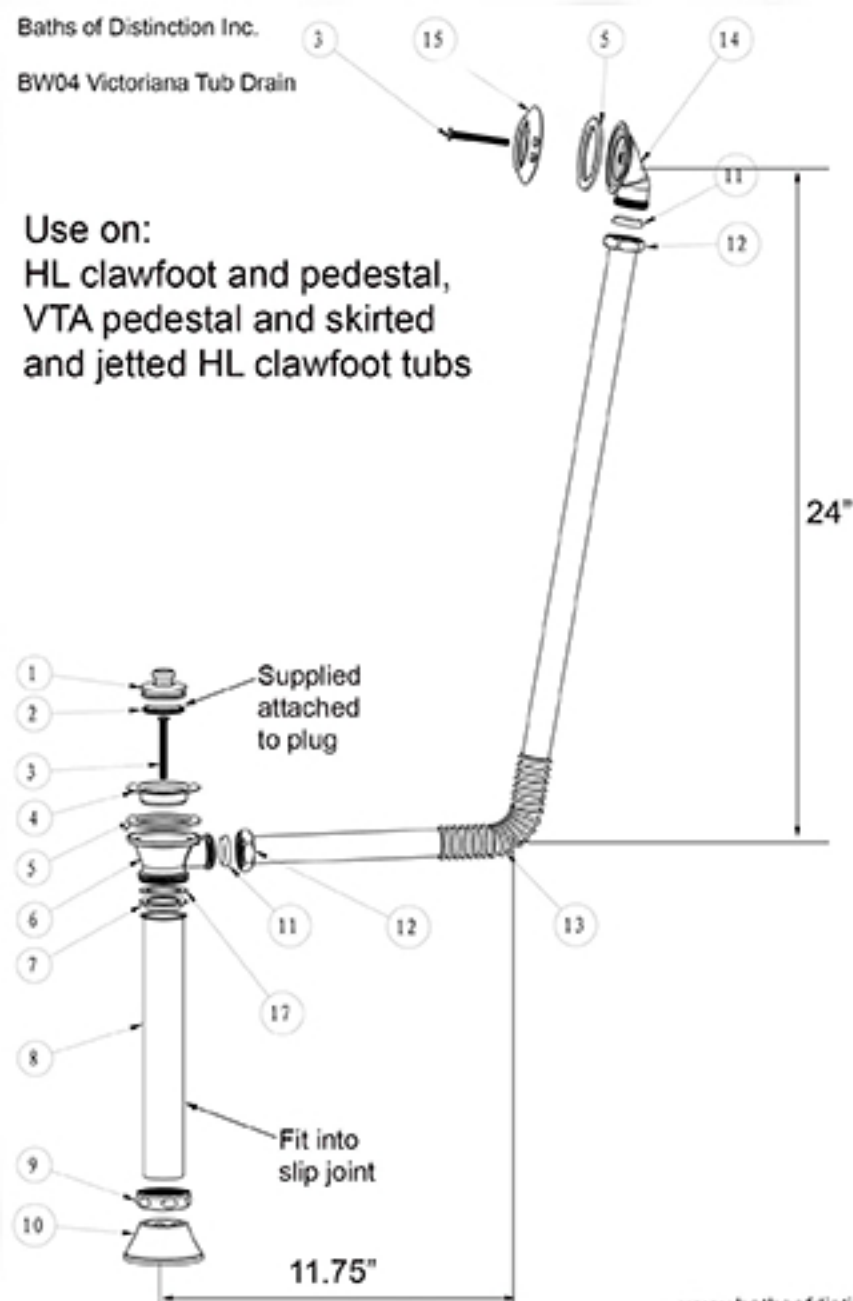


Use on:  
HL clawfoot and pedestal,  
VTA pedestal and skirted  
and jetted HL clawfoot tubs



17	S3014-09	washer
15	S4012-04	overflow flange
14	S4039-02	overflow body
13	S4039D-01	overflow pipe
12	S4039-04	hex nut
11	S4028-09	compression gasket
10	S4039A-01	escutcheon
9	S3005-14	nut
8	S4039A-02	tail piece
7	S3006-10	washer
6	S4039-01	waste body
5	S4008-09	gasket
4	S4028-05	waste flange
3	S4028-14	screw
2	S4028-04	washer
1	S4039A-06	plug

### Installation

- A. Place #5 onto #14 and connect to #15 through the tub using #3. #3 will need cut to suit tub thickness.
- B. Place #5 onto #6 and connect to #4 through the tub using #3. Apply a generous bead of silicon or putty under flange #4.
- C. Measure and cut #13 to suit.
- D. Connect #13 to #5 using #12 and #11.
- E. Connect #13 to #14 using #12 and #11
- F. Measure for #8 and cut pipe to suit.
- G. Fit #9 and #10 over #8 and push #8 into slip joint in floor.
- H. Pull #8 up and connect to #6 using #9, include #7 and #17.
- J. Tighten slip joint and cover with #10.
- K. #1 is designed to be housed inside #15 when not in use.