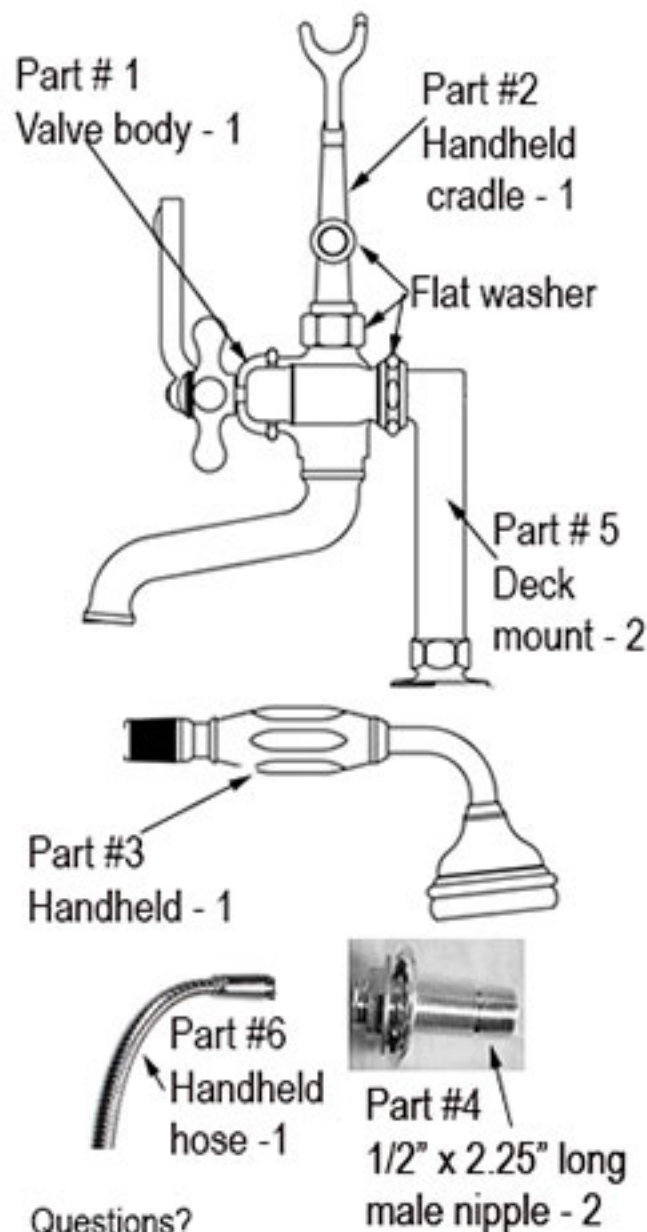


INSTALLATION



A

Connect part #4 male nipple to part #5 deck mount. There is one tapered end on the nipple which is designed to fit in the deck mount.

B

Connect part #1 valve body, to part #5 deck mounts. Hand tighten the nuts and then use a flat face wrench to tighten a little more (do not overtighten)

C

Assemble this part to the deck area by placing the male nipples part #4 through the prepared deck holes. Use the nuts and lock washers supplied to secure

D

Connect part #2 handheld cradle to the mounted faucet body.

F

Connect part #3 handheld to part #6 handheld hose and connect to the faucet body

Questions?

Call: 1.866.938.3880

email: admin@bathsofdistinction.com

NOTE - To avoid leaks, use all flat face washers as supplied